

T Series 47 S

High Temperature, 20mm x 10mm

FEATURES

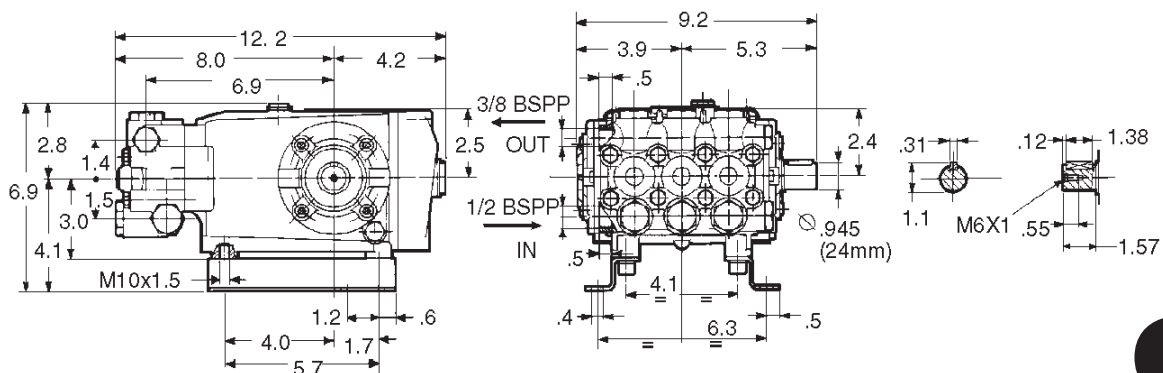
- The preferred pump frame in the pressure cleaning industry
- Suitable for high temperature operation
- Large-capacity, die-cast, anodized aluminum oil-bath crankcase
- Over-sized connecting rods for maximum life
- Heavy-duty tapered roller bearing.
- Solid ceramic plungers with continuously lubricated packings
- Unitized stainless steel inlet and discharge valves

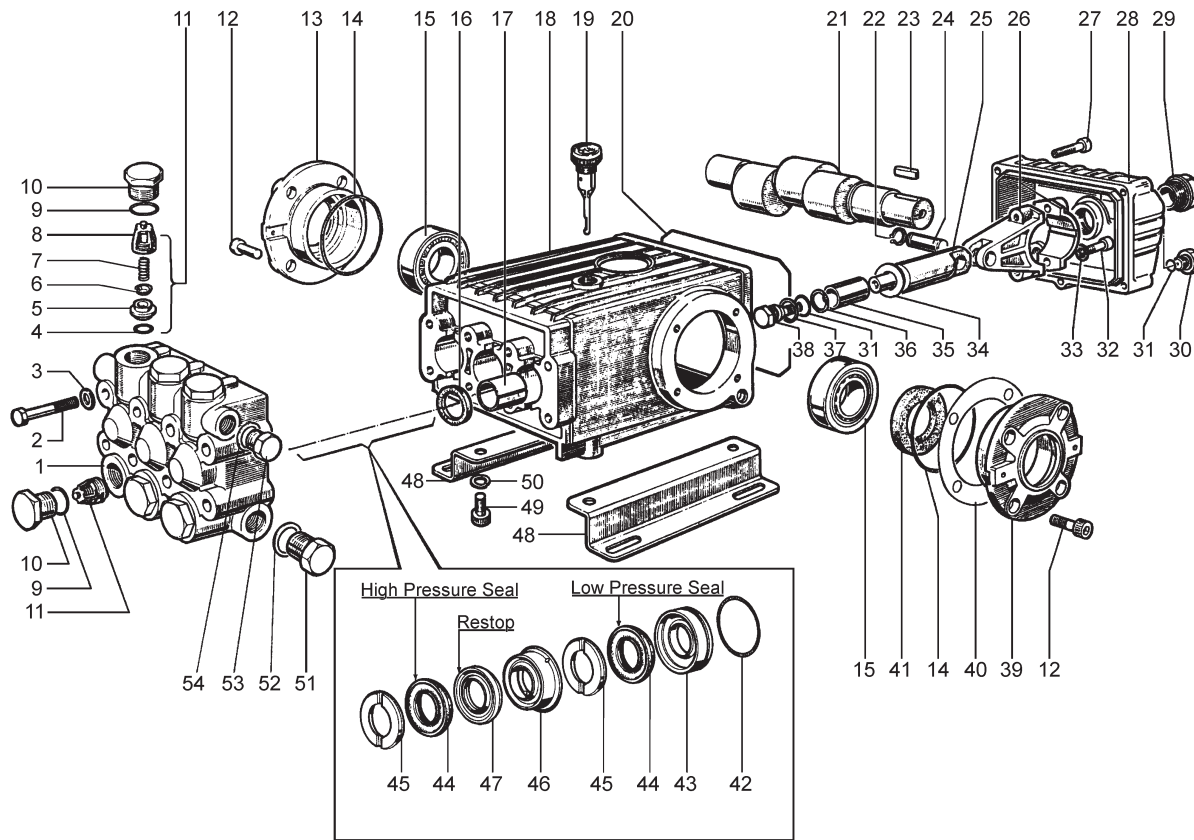


SPECIFICATIONS

Pump Model	190407
Maximum Volume (GPM)	4.0 GPM
Max. Discharge Pressure (PSI)	3000 PSI
Maximum Pump Speed (RPM)	1750 RPM
Maximum Inlet Pressure	125 PSI
Maximum Inlet Vacuum	9 ft. water (7.9 in. Hg)
Bore	.787 in. / 20 mm
Stroke	.394 in. / 10 mm
Crankcase Oil Capacity	40.6 oz.
Inlet Port Thread	1/2-14 BSPP-F
Discharge Port Thread	3/8-19 BSPP-F
Shaft Diameter.	.945 in. / 24 mm
Weight	32 lbs.
Dimensions	12.2 x 9.2 x 6.9 in.

DIMENSIONAL DRAWING





PARTS LIST

ITEM PART NO.	DESCRIPTION	QTY.	ITEM PART NO.	DESCRIPTION	QTY.	ITEM PART NO.	DESCRIPTION	QTY.
1. 47120941	Manifold, Nickel-Plated	1	19. 98210600	Oil Dip Stick	1	37. 96728000	Washer	3
2. 99320600	Screw, M8 x 70	8	20. 90392200	O-Ring, Cover	1	38. 47219566	Screw, Plunger	3
3. 96702000	Washer, M8.4	8	21. 47021435	Crankshaft	1	39. 47150022	Cover, Crankcase	1
4. 701115BV	O-Ring	6	22. 90055700	Ring, Snap	6	40. 97567800	Shim	2
5. 36200366	Seat, Valve	6	23. 91489000	Key	1	41. 90164800	Seal, Oil	1
6. 36200176	Plate, Valve	6	24. 97738000	Pin, Wrist	3	42. 701141	O-Ring	3
7. 94737600	Spring	6	25. 47050554	Guide, Plunger	3	43. 47080570	Retainer, Packing	3
8. 36200251	Guide, Valve	6	27. 99191200	Screw, M6 x 30	5	44. 660099	Packing, Teflon	6
9. 701117V90	O-Ring	6	28. 47160122	Cover, Crankcase	1	45. 47100051	Ring, Head, 20mm	6
10. 98222200	Cap, Nickel-Plated	6	29. 97596800	Oil Indicator	1	46. 47216970	Intermed. Ring	3
11. 36703201	Valve Assembly	6	30. 98204100	Cap	1	47. 90270400	Restop Ring	3
12. 99303900	Screw, M8 x 16	8	31. 90358500	O-Ring	4	48. 47200074	Pump Feet	2
13. 47150122	Cover, Crankcase	1	32. 99309900	Screw, M8 x 35	6	49. 99364400	Screw, M10 x 18	4
14. 90391300	O-Ring	2	33. 96701400	Washer, M8.4	6	50. 96710600	Washer, M10.2	4
15. 640047	Bearing, Roller	2	34. 96728600	Washer, M14	3	51. 98217600	Cap	1
16. 90162500	Seal, Oil	3	35. 47040409	Plunger, (20 mm)	3	52. 96751400	Washer, M21.5	1
17. 90912600	Bushing	3	36. 90506700	Ring, Back-up	3	53. 98210000	Cap	1
18. 47010522	Crankcase	1				54. 96738000	Washer, M17.5	1

REPAIR KITS

KIT NO.	K101	K02	K03	K06	K07	K101T	K71
ITEM NO.s INCLUDED IN KIT	4, 5 6, 7, 8 (11)	16	41	31, 34, 36, 37, 38	45	42, 43, 44, 45, 46, 47	46, 47
NUMBER OF ASSEMBLIES IN KIT	6	3	2	3	6	3/6	3
NUMBER OF CYLINDERS KIT WILL SERVICE	3	3	-	3	3	3	3

TORQUE SPECS*

Position	Ft.-lbs.
2	22.1
10	73.7
12	14.7
27	7.3
29	13.2
30	14.7
32	14.7
38	14.7
49	29.4
51	29.4
53	29.4

*Decrease torque by 20% if threads are lubricated.